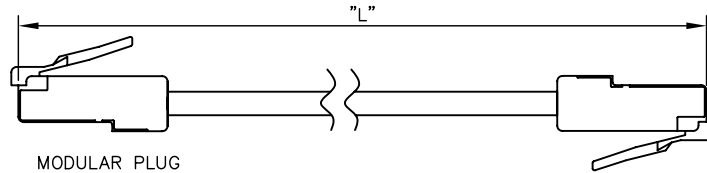
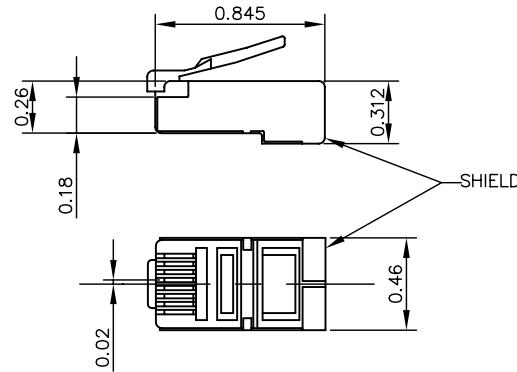
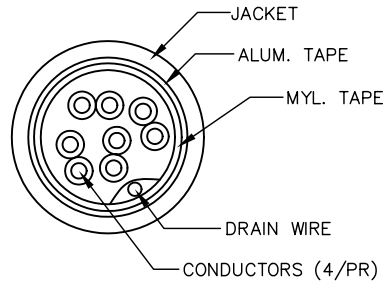


REV	DESCRIPTION	Date	APPROVED
A	PRODUCTION RELEASE	01/01/06	
B	ADD RoHS	05/23/06	
C	CHANGE TITLE BLOCK	08/24/07	



MODULAR PLUG



SHIELDED MODULAR PLUG

CABLE LENGTH TOLERANCE CHART:

LENGTH	TOLERANCE
< 1'	±0.5"
0' < L < 5'	±1"
5' < L < 10'	±2"
10' < L < 25'	±4"
25' < L < 50'	±6"
50' < L < 100'	±1'
+100'	±2'

WIRING DIAGRAM		
PLUG A	PLUG B	COLOR
1	1	WHITE/ORANGE
2	2	*ORANGE
3	3	WHITE/GREEN
4	4	*BLUE
5	5	WHITE/BLUE
6	6	*GREEN
7	7	WHITE/BROWN
8	8	*BROWN

* A WHITE MARKING IS OPTIONAL

2	XICMP8P8HRD	2	SHIELDED MODULAR PLUG, 8P8C, OVAL
1	XPCS4PH5GY	L'	SHIELDED CAT5 PATCH CABLE
NO.	ITEM NUMBER	Q'TY	DESCRIPTION

UNLESS OTHERWISE SPECIFIED
DIMENSION TOLERANCES ARE

DECIMALS	ANGULAR
.X +/- .050	+/- 0.5
.XX +/- .010	
.XXX +/- .005	

DO NOT SCALE DRAWING

CABLESYS

14700 E ALONDRA BLVD, LA MIRADA, CA 90638

WWW.CABLESYS.COM

SHIELDED CAT5 PATCH CABLE

DESIGNER	S.Q.Z.	SIZE	A	FILE NO.	GMS\CUSTOM\GCPC888SLL-XX	REV.	C
DRAFTSMAN	H.W.	UNIT	INCH	PAGE NO.	1/1	ITEM NO.	GCPC888SLL-XX
APPROVED BY		SCALE	NTS	DATE	1/20/99	DWG NO.	PC888SLL-XX

Approved by: _____ Title: _____ Date: _____