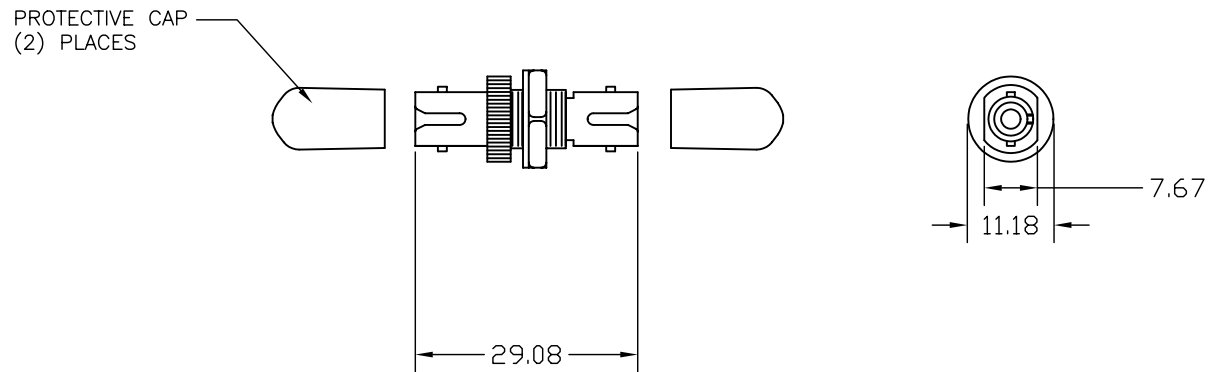


© 2008 CABLESYS, "GLOBAL MANUFACTURING SOLUTIONS, LLC". THIS DOCUMENT AND THE DESIGNS, SPECIFICATIONS AND INFORMATION CONTAINED HEREIN ARE THE PROPERTY OF CABLESYS. REPRODUCTION, MODIFICATION, ALTERATION, OR UNAUTHORIZED USE WITHOUT CABLESYS' APPROVAL IS STRICTLY PROHIBITED. THE CABLESYS TRADENAME AND LOGO ARE TRADEMARKS OF CABLESYS. ALL RIGHTS RESERVED.

REV	DESCRIPTION	Date	APPROVED
A	PRODUCTION RELEASE	01/21/99	



4	NUT	1
3	WASHER	1
2	RED DUST CAP	2
1	FIBER ADAPTOR ST SIMPLEX METAL SLEEVE	1
ITEM	DESCRIPTION	QTY

UNLESS OTHERWISE SPECIFIED
DIMENSION TOLERANCES ARE

DECIMALS	ANGULAR
.X +/- .050	+/- 0.5
.XX +/- .010	
.XXX +/- .005	

DO NOT SCALE DRAWING

CABLESYS

14700 E ALONDRA BLVD, LA MIRADA, CA 90638

WWW.CABLESYS.COM

ST ADAPTOR SIMPLEX METAL SLEEVE

DESIGNER	S.Q.Z.	SIZE	A	FILE NO.	GMS\ACCESSORIES\GAFCTPB01	REV.	A
DRAFTSMAN	T.L.	UNIT	MM	PAGE NO.	1/1	ITEM NO.	GAFCTPB01
APPROVED BY		SCALE	NTS	DATE	01/21/99	DWG NO.	FCSTPB01