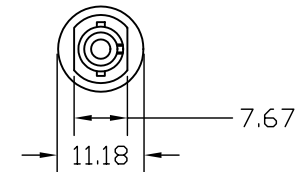
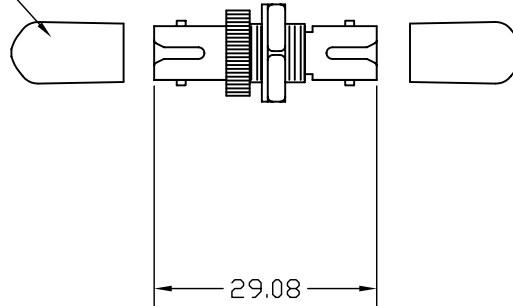


REV	DESCRIPTION	Date	APPROVED
A	PRODUCTION RELEASE	01/21/99	

YELLOW PROTECTIVE CAP  
(2) PLACES



4	NUT	1
3	WASHER	1
2	YELLOW DUST CAP	2
1	FIBER ADAPTOR ST SIMPLEX ZIRCONIA SLEEVE	1
ITEM	DESCRIPTION	QTY

UNLESS OTHERWISE SPECIFIED  
DIMENSION TOLERANCES ARE

DECIMALS	ANGULAR
.X    +/- .050	+/- 0.5
.XX   +/- .010	
.XXX +/- .005	

DO NOT SCALE DRAWING

# CABLESYS

14700 E ALONDRA BLVD, LA MIRADA, CA 90638

WWW.CABLESYS.COM

ST ADAPTOR SIMPLEX ZIRCONIA SLEEVE

DESIGNER	S.Q.Z.	SIZE	A	FILE NO.	GMS\ACCESSORIES\GAFCSZRB01	REV.	A
DRAFTSMAN	T.L.	UNIT	MM	PAGE NO.	1/1	ITEM NO.	GAFCSZR01
APPROVED BY		SCALE	NTS	DATE	03/17/99	DWG NO.	FCSTZR01