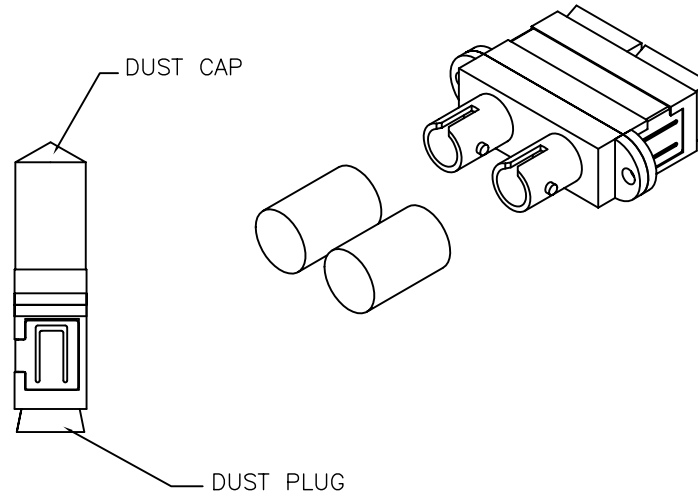
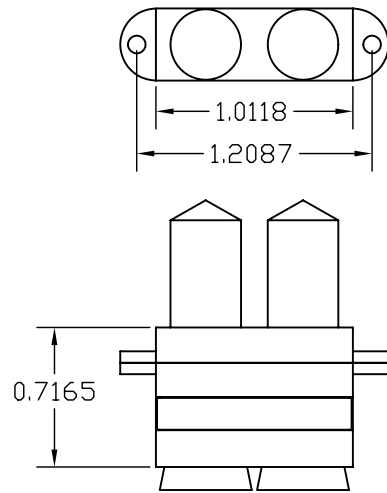


© 2008 CABLESYS, "GLOBAL MANUFACTURING SOLUTIONS, LLC". THIS DOCUMENT AND THE DESIGNS, SPECIFICATIONS AND INFORMATION CONTAINED HEREIN ARE THE PROPERTY OF CABLESYS. REPRODUCTION, MODIFICATION, ALTERATION, OR UNAUTHORIZED USE WITHOUT CABLESYS' APPROVAL IS STRICTLY PROHIBITED. THE CABLESYS TRADENAME AND LOGO ARE TRADEMARKS OF CABLESYS. ALL RIGHTS RESERVED.

REV	DESCRIPTION	Date	APPROVED
A	PRODUCTION RELEASE	03/17/99	



3	BLACK DUST PLUG	2
2	RED DUST CAP	2
1	FIBER ADAPTOR ST/SC DUPLEX METAL SLEEVE BLUE SHELL	1
ITEM	DESCRIPTION	QTY

UNLESS OTHERWISE SPECIFIED
DIMENSION TOLERANCES ARE

DECIMALS		ANGULAR
.X	+/- .050	+/- 0.5
.XX	+/- .010	
.XXX	+/- .005	

DO NOT SCALE DRAWING

CABLESYS

14700 E ALONDRA BLVD, LA MIRADA, CA 90638

WWW.CABLESYS.COM

ST TO SC ADAPTOR DUPLEX METAL SLEEVE

DESIGNER	S.Q.Z.	SIZE	A	FILE NO.	GMS\ACCESSORIES\GAFCTCPB02	REV.	A
DRAFTSMAN	T.L.	UNIT	MM	PAGE NO.	1/1	ITEM NO.	GAFCTCPB02
APPROVED BY		SCALE	NTS	DATE	03/17/99	DWG NO.	FCTCPB02