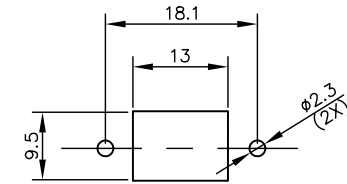
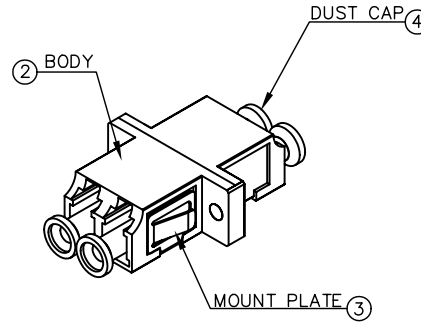
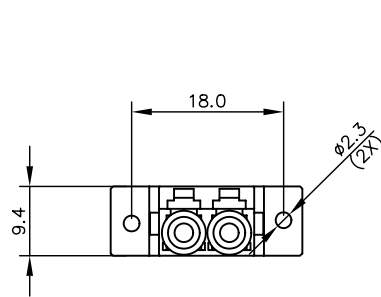
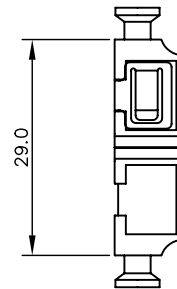
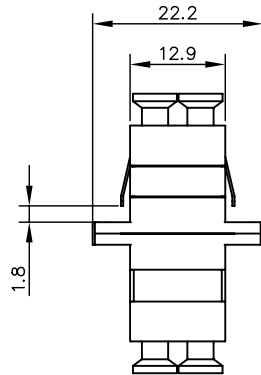


REV	DESCRIPTION	Date	APPROVED
A	PRODUCTION RELEASE	11/06/07	

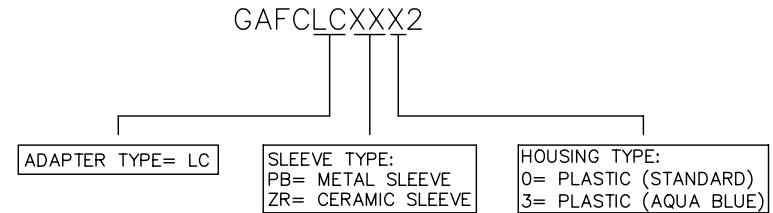


RECOMMENDED MOUNTING HOLE (PANEL THICKNESS IS 1.7MM MAX.)



NOTES:

1. WAVELENGTH: (850nm,1310nm)
1. INSERTION LOSS: CERAMIC <=0.15dB, METAL <=0.2dB
2. RETENTIONS FORCE: 100~300grams
3. DURABILITY: 500MATING
4. OPERATING TEMPERATURE: -40°C~80°C
5. FLAMMABILITY GRADE: UL94V-0



ITEM NO.	Q'TY	TYPE	Q'TY	TYPE	COLOR	Q'TY	TYPE	Q'TY	COLOR
BOM	①	SLEEVE	②	BODY		③	MOUNT PLATE	④	DUST CAP

UNLESS OTHERWISE SPECIFIED DIMENSION TOLERANCES ARE

DECIMALS	ANGULAR
.X +/- .050	+/- 0.5
.XX +/- .010	
.XXX +/- .005	

CABLESYS

14700 E ALONDRA BLVD, LA MIRADA, CA 90638 WWW.CABLESYS.COM

LC DUPLEX, ADAPTER

DESIGNER	I.S.	SIZE	A	FILE NO.	OFF SHELF CABLE\FIBER\GAFCLCXXX2	REV.	A
DRAFTSMAN	H.W.	UNIT	MM	PAGE NO.	1/1	ITEM NO.	GAFCLCXXX2
APPROVED BY		SCALE	NTS	DATE	11/06/07	DWG NO.	FCLCXXX2

Approved by: _____ Title: _____ Date: _____