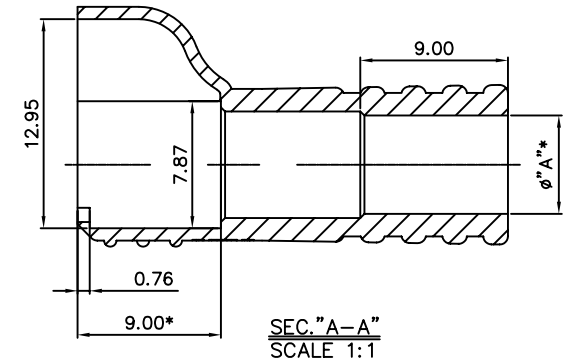
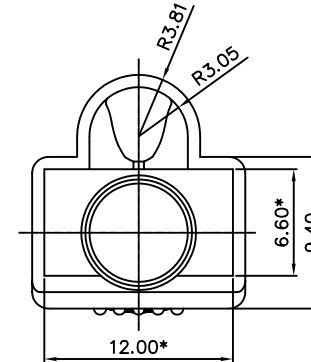
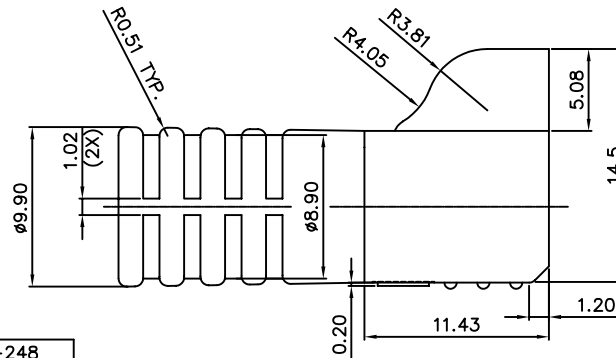
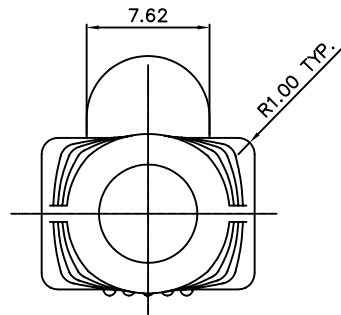
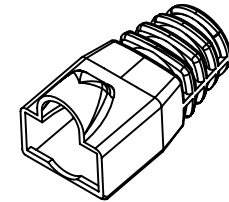
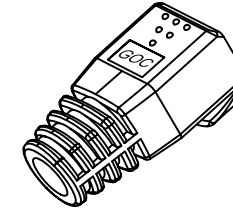
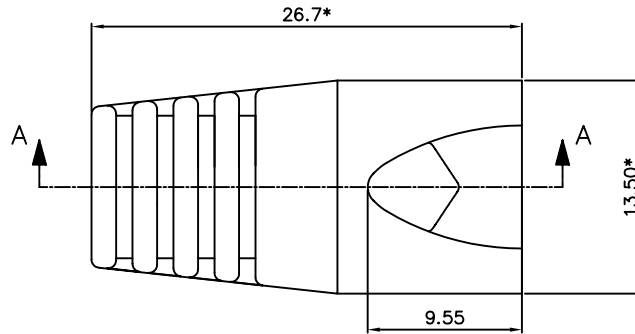
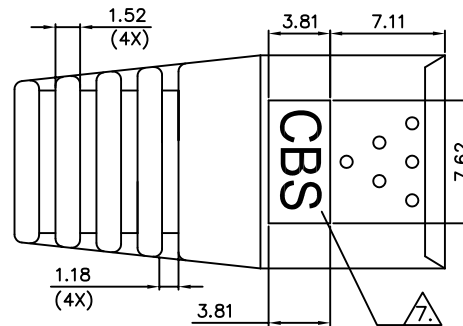


REV	DESCRIPTION	Date	APPROVED
A	PRODUCTION RELEASE	03/24/99	
B	MODIFY SR	07/26/04	



GAPCSSRSOR	ø6.10	SHORE "A" 75±3	071-001-248 ORANGE (600-ORG-053)
GAPCSSRSD	ø6.10	SHORE "A" 75±3	071-001-247 RED (600-RED-053)
GAPCSSRSBK	ø6.10	SHORE "A" 75±3	071-006-005 BLACK (600-BLK-001)
GAPCSSRSYL	ø6.10	SHORE "A" 75±3	071-001-232 YELLOW (600-YLW-052)
GAPCSSRSWH	ø6.10	SHORE "A" 75±3	071-001-235 WHITE (600-WHE-052)
GAPCSSRSRPR	ø6.10	SHORE "A" 75±3	071-001-250 PURPLE (600-PUR-052)
GAPCSSRSRGR	ø6.10	SHORE "A" 75±3	071-002-234 GRAY (600-GRY-219)
GAPCSSRSRGN	ø6.10	SHORE "A" 75±3	071-001-249 GREEN (600-GRN-052)
GAPCSSRSRBL	ø6.10	SHORE "A" 75±3	071-001-233 BLUE (600-BLU-057)
CUSTOMER PART No.	DIM. "øA"	PVC HARDNESS DUROMETER	PVC P/N & COLOR CHIP No.



NOTES:

1. ALL DIMENSIONS ARE "MM"
 2. MATERIAL: PVC, UL94V-0.
 3. TEXTURE: MT1055-2.
 4. PARTING LINE CAN'T MISMATCH 0.15MM MAX.
 5. FLASH TO BE 0.20MM MAX.
 6. GATES REMNANT TO BE 0.15MM MAX.
7. CBS 0.05MM RECESS FROM SURFACE.

UNLESS OTHERWISE SPECIFIED DIMENSION TOLERANCES ARE		CABLESYS		14700 E ALONDRA BLVD, LA MIRADA, CA 90638		WWW.CABLESYS.COM		
DECIMALS	ANGULAR	STRAIN RELIEF						
.X	+/- .050							+/- 0.5
.XX	+/- .010							
.XXX	+/- .005							
DO NOT SCALE DRAWING								
DESIGNER	T.L.	SIZE	A	FILE NO	SPEC\POP COMPONENTS\GAPCSSRSXX	REV. B		
DRAFTSMAN	U.P.	UNIT	MM	PAGE NO.	1/1	ITEM NO.	GAPCSSRSXX	
APPROVED BY		SCALE	NTS	DATE	03/24/99	DWG NO.	PCSSRSXX	

Approved by: _____ Title: _____ Date: _____