

REV	DESCRIPTION	Date	APPROVED
F	MODIFY TITLE BLOCK	06/07/07	
G	REBUILD P/N AND COLOR TABLE	02/25/08	
H	MODIFY CABLE MARKING & PLUG TYPE	03/27/08	
I	MODIFY CABLE MARKING	04/22/08	
J	MODIFY CABLE SPEC & ADD LENGTH	08/26/08	



GCPO8SS61C-XX	30480.0±127.0 (100'±5")
GCPO8SS675-XX	22860.0±101.6 (75'±4")
GCPO8SS650-XX	15240.0±101.6 (50'±4")
GCPO8SS625-XX	7620.0±50.8 (25'±2")
GCPO8SS620-XX	6096.0±50.8 (20'±2")
GCPO8SS614-XX	4267.2±38.1 (14'±1.5")
GCPO8SS610-XX	3048.0±38.1 (10'±1.5")
GCPO8SS607-XX	2133.6±25.4 (7'±1")
GCPO8SS606-XX	1828.8±25.4 (6'±1")
GCPO8SS605-XX	1524.0±25.4 (5'±1")
GCPO8SS604-XX	1219.2±25.4 (4'±1")
GCPO8SS603-XX	914.4±25.4 (3'±1")
GCPO8SS602-XX	609.6±25.4 (2'±1")
GCPO8SS601-XX	304.8±12.7 (1'±0.5")
CBS P/N (XX: COLOR CODE)	DIM "L"

PART NUMBER TABLE

(G)(J)

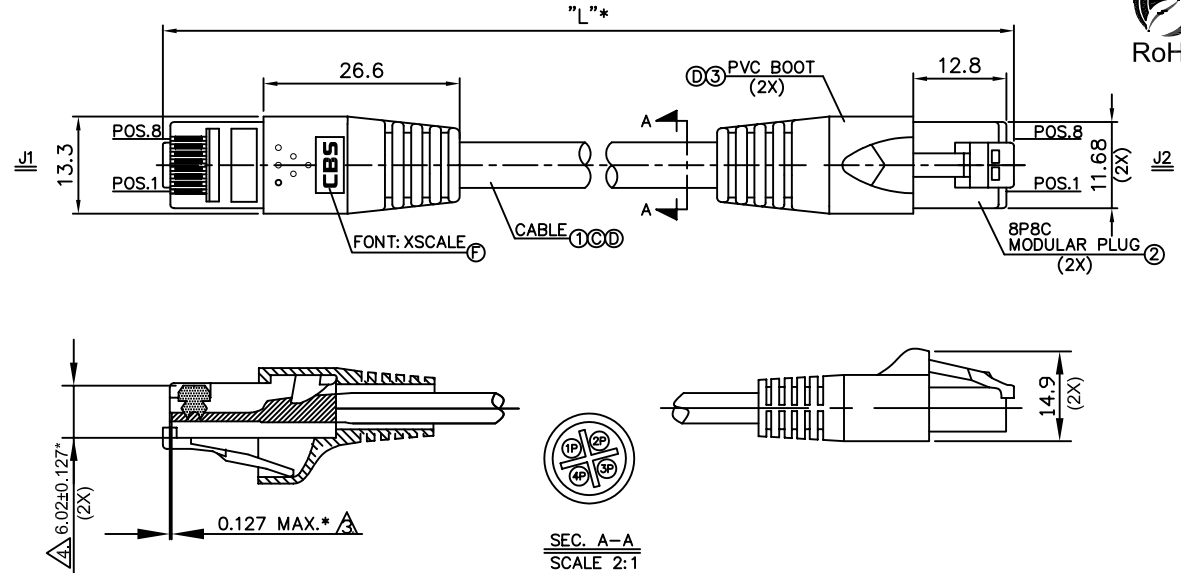


FIGURE 1

SEC. A-A
SCALE 2:1

YL	YELLOW
WH	WHITE
RD	RED
OR	ORANGE
GY	GRAY
GN	GREEN
BL	BLUE
BK	BLACK
COLOR CODE	COLOR

COLOR TABLE

(G)

8	BROWN	TWISTED	8
7	WHITE/BROWN	PAIR	7
5	WHITE/BLUE	TWISTED	5
4	BLUE	PAIR	4
6	GREEN	TWISTED	6
3	WHITE/GREEN	PAIR	3
2	ORANGE	TWISTED	2
1	WHITE/ORANGE	PAIR	1
J1	WIRE COLOR		J2

WIRE CONNECTION TABLE

(FD)	3	PVC BOOT	2PCS	PVC, SHORE A: 75±3, CABLE RANGE: ø6.86MM COLOR: SEE TABLE
(B)	2	8P8C	2SET	CONTACT: COPPER ALLOY 50u", GOLD PLATED INSULATOR: POLYCARBONATE, UL94V-2 COLOR: NATURAL
(J)(H)(F)(E)(I)(D)(C)	1	CATEGORY 6 UTP CABLE	1PC	#24X4P+JACKET: PVC, O.D.=ø6.2±0.2MM UL CM & CSA CMG FT4 FREQUENCY: 450MHZ COLOR: SEE TABLE JACKET MARKING AND ADDITIONAL INFO: SEE XPCS4PC6XX
No.	ITEM	Q'TY	DESCRIPTION	

NOTES:

- ALL DIMENSIONS ARE: "MM".
- ANY OPEN, MISWIRING, SHORT & INTERMITTENT ARE NOT PERMITTED.
- THE CONDUCTOR SHALL BE BOTTOMER IN THE CONNECTOR WITHIN THE LIMITS SHOWN IN FIGURE 1.
- THE CRIMP HEIGHT SHALL BE 6.02±0.127 AND MEASURED AT THE LOCATION INDICATED IN FIGURE 1.

UNLESS OTHERWISE SPECIFIED DIMENSION TOLERANCES ARE		<h1 style="text-align: center;">CABLESYS</h1> <p style="text-align: center;">14700 E ALONDR A BLVD, LA MIRADA, CA 90638 WWW.CABLESYS.COM</p>							
DECIMALS	ANGULAR								
.X +/- .050	+/- 0.5	CAT6 PATCH CABLE WITH STRAIN RELIEF							
.XX +/- .010									
.XXX +/- .005									
DO NOT SCALE DRAWING		DESIGNER	T.L.	SIZE	A	FILE NO.	OFF SHELF CABLE\GCPO8SS6LL-XX	REV.	J
		DRAFTSMAN	H.W.	UNIT	MM	PAGE NO.	1/1	ITEM NO.	GCPO8SS6LL-XX
		APPROVED BY		SCALE	NTS	DATE	10/29/03	DWG NO.	P08SS6LL-XX

Approved by: _____ Title: _____ Date: _____