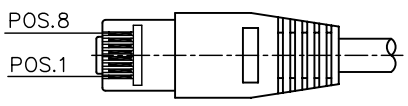
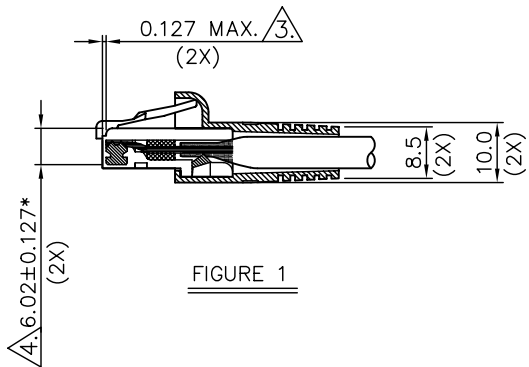
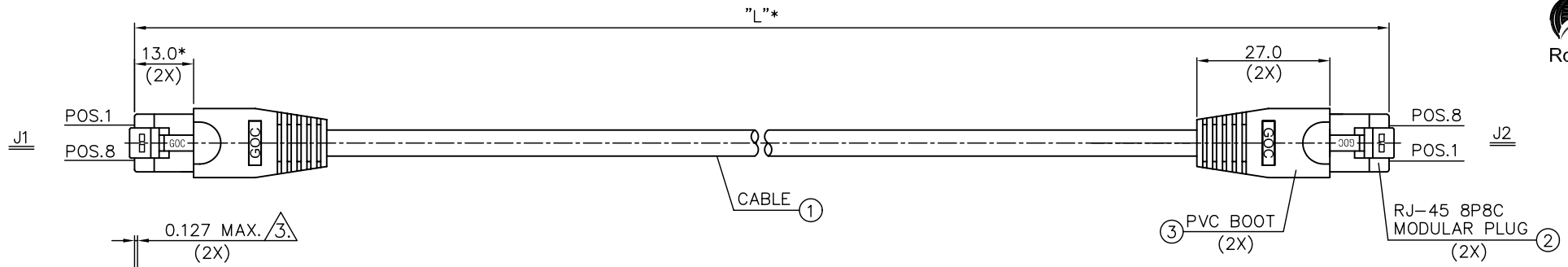


REV	DESCRIPTION	Date	APPROVED
A	PRODUCTION RELEASE	10/25/04	



GCP080R925-RDX	7620.0±101.6
GCP080R920-RDX	6096.0±101.6
GCP080R914-RDX	4267.2±76.2
GCP080R910-RDX	3048.0±50.8
GCP080R907-RDX	2133.6±50.8
GCP080R905-RDX	1524.0±38.1
GCP080R903-RDX	914.4±25.4
PART NO.	"LENGTH"

SHELL	DRAIN WIRE		SHELL
5	BROWN	TWISTED PAIR	8
4	WHITE/BROWN		7
7	BLUE	TWISTED PAIR	4
8	WHITE/BLUE		5
2	GREEN	TWISTED PAIR	6
1	WHITE/GREEN		3
6	ORANGE	TWISTED PAIR	2
3	WHITE/ORANGE		1
J1	WIRE COLOR		J2

WIRE CONNECTION TABLE

3	PVC BOOT	2PCS	SHORE A: 75±3, UL94V-0 COLOR: ORANGE(600-ORG-053)
2	8P8C RJ-45 MODULAR PLUG	2PCS	BODY: POLYCARBONATE, UL94V-2 COLOR: NATURAL CONTACT: COPPER ALLOY 15u" GOLD PLATED INSERT BAR: NATURAL
1	CATEGORY 5E UTP CABLE	1PC	#24X4P WIRE+JACKET: PVC O.D=5.3±0.1MM COLOR: RED(600-RED-053) UL CM & CSA FT4
No.	ITEM	Q'TY	DESCRIPTION

- NOTES:
- ALL DIMENSIONS ARE "MM".
 - ANY OPEN, MISWIRING, SHORT & INTERMITTENT ARE NOT PERMITTED.
 - THE CONDUCTOR SHALL BE BOTTOMED IN THE CONNECTOR WITHIN THE LIMITS SHOWN IN FIGURE 1.
 - THE CRIMP HEIGHT SHALL BE 6.02±0.127 AND MEASURED AT THE LOCATION INDICATED IN FIGURE 1.

UNLESS OTHERWISE SPECIFIED DIMENSION TOLERANCES ARE

DECIMALS	ANGULAR
.X +/- .050	+/- 0.5
.XX +/- .010	
.XXX +/- .005	

DO NOT SCALE DRAWING

CABLESYS

14700 E ALONDRA BLVD, LA MIRADA, CA 90638 WWW.CABLESYS.COM

ENHANCED CATEGORY 5 PATCH CORDS, CROSS OVER

DESIGNER	SIZE	A	FILE NO. OEM\2004\GCP080R9XX-RDX	REV. A
DRAFTSMAN	UNIT	MM	PAGE NO. 1/1	ITEM NO. GCP080R9XX-RDX
APPROVED BY	SCALE	NTS	DATE 10/25/04	DWG NO. P080R9XX-RDX

Approved by: _____ Title: _____ Date: _____