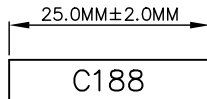
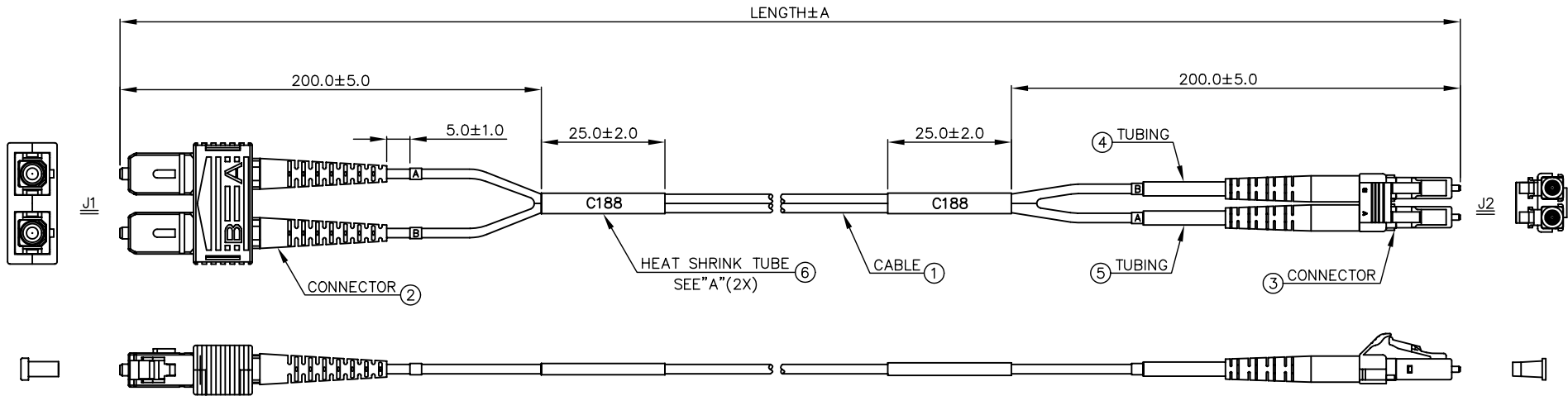


REV	DESCRIPTION	Date	APPROVED
A	PRODUCTION RELEASE	01/15/08	



DETAIL "A"

TOLERANCE

6~**	0.15
3~5	0.10
2	0.05
0.6~1	0.04
0~0.5	0.03
LENGTH(M)	A(M)

GCFAZCLL**-M	**
GCFAZCLL01-M	1
CABLESYS P/N	LENGTH (M)

NOTE: "**": 01,02,03...

B	_____	A
A	_____	B
J1	WIRE COLOR	J2
WIRE CONNECTION		

6	HEAT SHRINK TUBE	2PCS	COLOR=BLACK.
5	TUBING	1PC	HEAT SHRINK SLEEVE, WHITE.
4	TUBING	1PC	HEAT SHRINK SLEEVE, YELLOW.
3	CONNECTOR	1PC	LC, DUPLEX, MULTI-MODE, BEIGE HOUSING, WHITE BOOTS
2	CONNECTOR	1PC	SC, DUPLEX, MULTI-MODE, BLUE COUPLING & BOOTS & CLIP
1	CABLE	1PC	OPTICAL FIBER, MULTI-MODE, 50/125, DUPLEX, Ø2.0MM, TIGHT, ORANGE, PVC JACKET.
NO.	ITEM	Q'TY	DESCRIPTION

NOTES:

1. NEW PRODUCTS SHALL BE REFERENCE TO BELLCORE GR-326 STANDARD.
2. INSERTION LOSS: <=0.2dB TYPICAL (1300nm)
3. CBALE MARKING: BAYCON: "PLUS CORNING MMF-50/125 OPTICAL FIBER CABLE OFNR(UL)E201648 05/2006 ***** M"
KEY OPTICS: "PLUS CORNING MMF-50/125 OPTICAL FIBER CABLE OFNR(UL)E241104 05/2006 ***** M"

UNLESS OTHERWISE SPECIFIED DIMENSION TOLERANCES ARE

DECIMALS	ANGULAR
.X +/- .050	+/- 0.5
.XX +/- .010	
.XXX +/- .005	

DO NOT SCALE DRAWING

CABLESYS

14700 E ALONDRA BLVD, LA MIRADA, CA 90638

WWW.CABLESYS.COM

FIBER JUMPER 50/125µm MULTIMODE
DUPLEX SC TO LC

DESIGNER	A.C.	SIZE	A	FILE NO.	OFF SHELF CABLE/FIBER/GCFAZCLLXX	REV.	A
DRAFTSMAN	H.W.	UNIT	MM	PAGE NO.	1/1	ITEM NO.	GCFAZCLLXX
APPROVED BY		SCALE	NTS	DATE	01/15/08	DWG NO.	FAZCLLXX

Approved by: _____ Title: _____ Date: _____