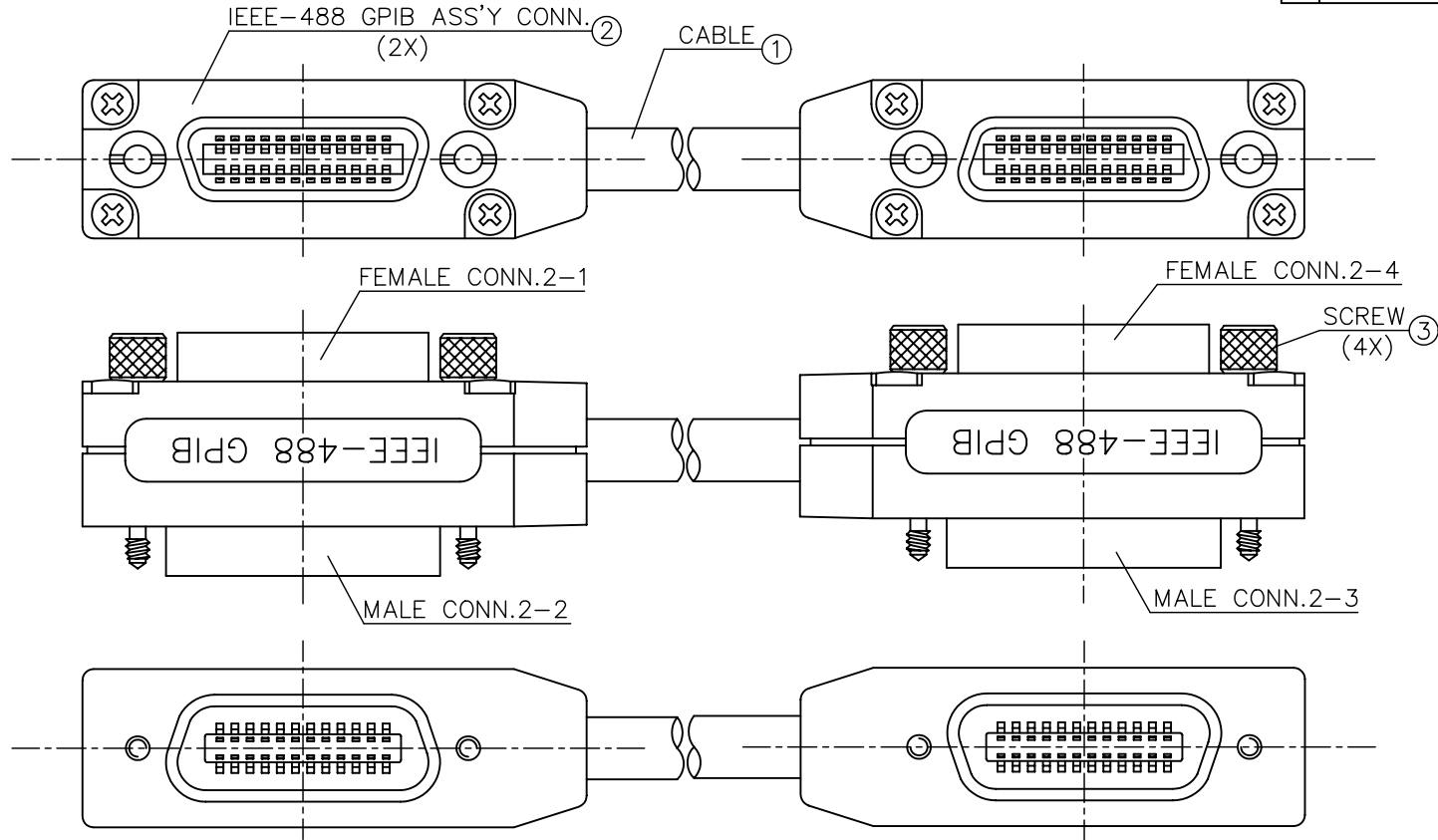
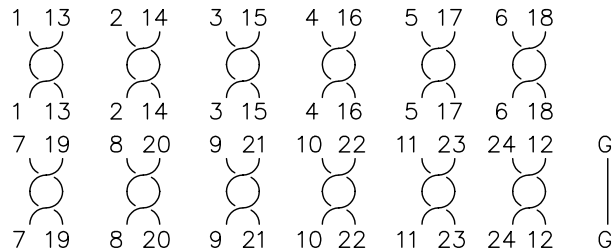


REV	DESCRIPTION	Date	APPROVED
#	PRODUCTION RELEASE	08/19/06	



PIN ASSIGNMENT



PART No.	WIRE LENGTH
GC45802001	1M
GC45802002	2M
GC45802004	4M
GC45802006	6M
GC45802008	8M

3	SCREW	4PCS	THE MOUNTING HARDWARE USED METRIC THREADS(ISO,M3.5),NICKEL PLATED
2	IEEE-488 GPIB ASS'Y CONN.	2PCS	PIN CONTACT: PHOSPHOR BRONZE INSULATOR: PBT & GLASS-FIBRE REINFORCED UL 94V-0 HOOD: 2 PIECES,ALLUMINUM ALLOY OR ZINC ALLOY OR PLASTIC,NICKEL PLATED ASSEMBLY.
1	CABLE	1PC	UL2464 26# (IEEE-488) BRAIDED TWIST COMPUTER CABLE
No.	ITEM	Q'TY	DESCRIPTION

NOTES:

- ALL DIMENSIONS ARE "MM".
- ANY OPEN, MISWIRING & SHORT & INTERMITTENT ARE NOT PERMITTED.
- CIRRIS 1000H OR EQUIVALENT CABLE TESTER USING FOLLOWING PARAMETERS:  
DC 100V, 10mS, 5MΩ MIN. & 5.0Ω MAX.

Approved by: \_\_\_\_\_ Title: \_\_\_\_\_ Date: \_\_\_\_\_

UNLESS OTHERWISE SPECIFIED DIMENSION TOLERANCES ARE				14700 E ALONDR A BLVD, LA MIRADA, CA 90638		WWW.CABLESYS.COM	
DECIMALS      ANGULAR .X    +/- .050    +/- 0.5 .XX   +/- .010 .XXX +/- .005 DO NOT SCALE DRAWING				IEEE-488 CABLE ASSEMBLY TYPE(GROUNDING ALONE)			
DESIGNER	T.L.	SIZE	A	FILE NO.	OEM\500\GC45802XXX	REV. B	
DRAFTSMAN	CHEN ZHI GANG	UNIT	MM	PAGE NO.	1/1	ITEM NO.	GC45802XXX
APPROVED BY		SCALE	NTS	DATE	08/19/06	DWG NO.	45802XXX