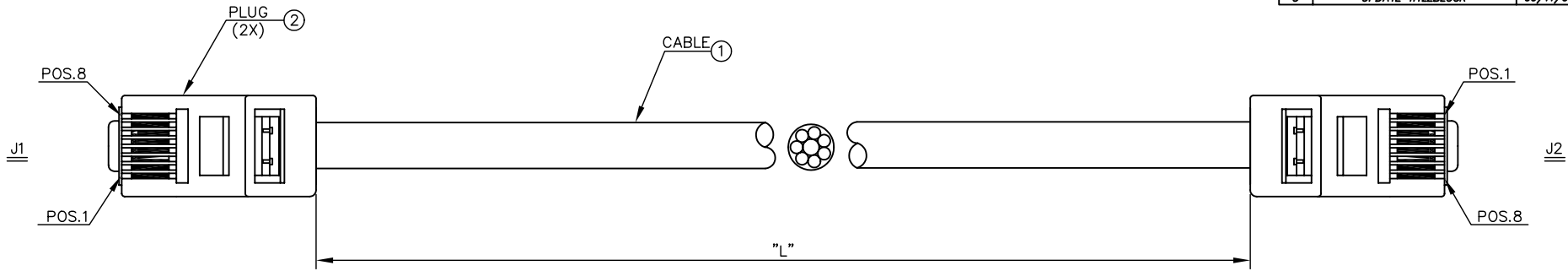


REV	DESCRIPTION	Date	APPROVED
A	PRODUCTION RELEASE	02/05/07	
B	MODIFY LABEL	02/02/07	
C	UPDATE TITLEBLOCK	09/11/07	



8	BROWN	8
7	BLUE	7
6	YELLOW	6
5	GREEN	5
4	RED	4
3	BLACK	3
2	ORANGE	2
1	GRAY	1
J1	WIRE COLOR	J2

WIRE CONNECTION TABLE

GCLR888050	15250±150 (50')	677142108552
GCLR888025	7625±50 (25')	677142108545
GCLR888014	4270±30 (14')	677142108538
GCLR888007	2135±20 (7')	677142108521
ITEM NO	WIRE LENGTH "L"	UPC NUMBER

2	PLUG	2PCS	8P8C 3U", "CBS" MARKING ON THE TAB
1	CABLE	1PC	CONDUCTOR: [26AWG(0.16/7)BARE TWIST COPPER]X8C INSULATION: (PP6331 ID: 0.95±0.03)X8C JACKET: PVC UL 65P 20251 OD: 4.2±0.2 CABLE MARKING: EXXXXXX CABLESYS AWM 20251 60°C 150V 26AWG (EXXXXXX: VENDER APPROVED UL FILE NUMBER) COLOR OF MARKING: WHITE
NO.	ITEM	Q'TY	DESCRIPTION

NOTE: UNLESS OTHERWISE SPECIFIED

1. PACKAGING:

- A. EACH LINE CORD BUNDLED WITH A CABLE TIE TWISTED IN THE MIDDLE
- B. 1 PC/BAG, TYPE I, SIZE B, PRINTING & LABELING PER PKBAG
- C. OUTER BAG: 50 PCS/OUTER BAG, SIZE TO FIT, LABELING PER PKBAG
- D. MASTER CARTON: SIZE: 457 X 340 X 245 MM PRINTING AND LABELING PER PKCARTON

UNLESS OTHERWISE SPECIFIED  
DIMENSION TOLERANCES ARE

DECIMALS	ANGULAR
.X +/- .050	+/- 0.5
.XX +/- .010	
.XXX +/- .005	

DO NOT SCALE DRAWING

# CABLESYS

14700 E ALONDRA BLVD, LA MIRADA, CA 90638

WWW.CABLESYS.COM

26AWG LINE CORD 8C 8P/8P

DESIGNER	T.L.	SIZE	A	FILE NO.	OFF SHELF CABLE\GCLR888XXX	REV.	C
DRAFTSMAN	N.T.	UNIT	MM	PAGE NO.	1/1	ITEM NO.	GCLR888XXX
APPROVED BY		SCALE	NTS	DATE	02/05/07	DWG NO.	LR888XXX

Approved by: \_\_\_\_\_ Title: \_\_\_\_\_ Date: \_\_\_\_\_