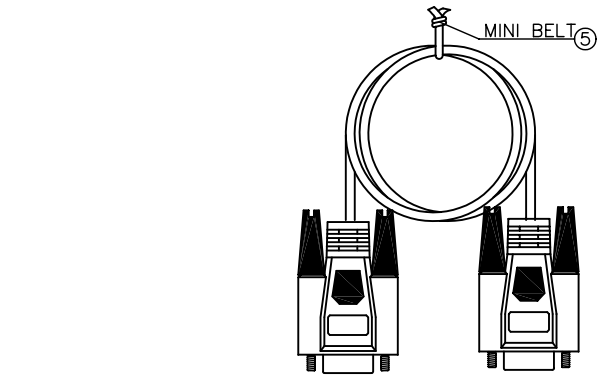
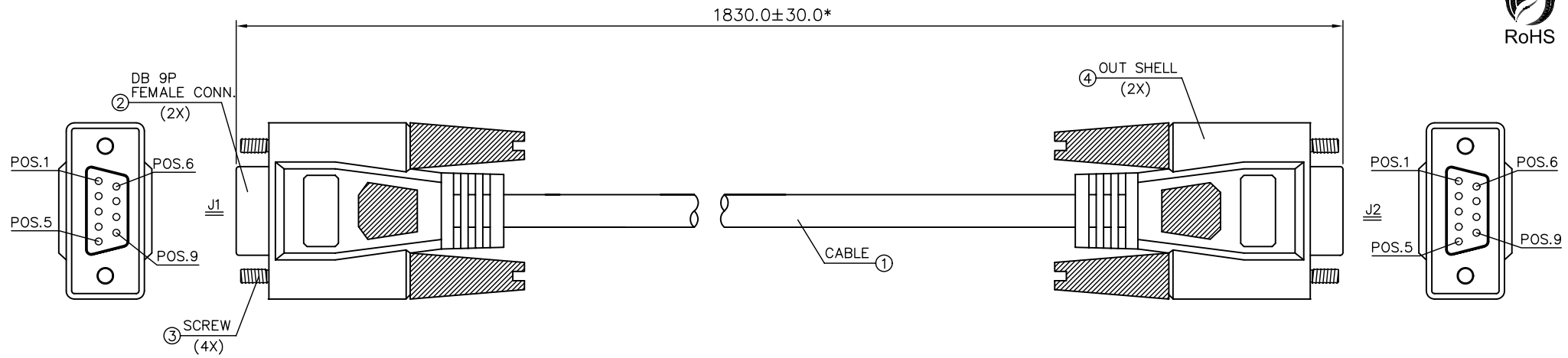


REV	DESCRIPTION	Date	APPROVED
A	ENGINEERING RELEASE	07/12/05	



9	EMPTY	9
SHELL	DRAIN WIRE	SHELL
8	OPTION	7
7	OPTION	8
1	SHORT CIRCUIT	4
6		
5	OPTION	5
4	OPTION	SHORT CIRCUIT
3	OPTION	2
2	OPTION	3
J1	WIRE COLOR	J2

WIRE CONNECTION TABLE

GC31851010	10'±2.0"
GC31851006	6'±1.25"
GOC P/N	LENGTH

No.	ITEM	Q'TY	DESCRIPTION
5	MINI BELT	1PC	L=100MM "ROHS" COLOR=GRAY
4	OUTER MOLDED	2PCS	PVC 45P MOLDED 25.6g & LDPE 4.8g "ROHS" COLOR=BEIGE 413C
3	MOUNTING SCREW	4PCS	E-32mm #4-40UNC 4*49.5MM NICKEL PLATED MOLDED35P PVC "ROHS" COLOR=BEIGE 413C
2	HDB 9P FEMALE CONN.	2PCS	DB 9PIN FEMALE SOLDER TYPE NICKEL "ROHS" COLOR=BLACK
1	CABLE	1PC	UL2464 28#x9C+AE OD:5.0MM "ROHS" COLOR=BEIGE 413C

NOTES:

- ALL DIMENSIONS ARE "MM".
- ANY OPEN, MISWIRING & SHORT & INTERMITTENT ARE NOT PERMITTED.
- CIRRIS 1000H OR EQUIVALENT CABLE TESTER USING FOLLOWING PARAMETERS:DC 100V, 10mS, 5MΩ MIN. & 5.0Ω MAX.
- DB 9P(F) MOLDED IN NO:E-MJ-148
- DB 9P(F) MOLDED OUT NO:E-MJ-149
- E-32 SCREW MOLDED NO:E-MJ-127
- Packing:1PCS AS STATED PICTURE ONE, PITCH A MINI BELT LOAD IN 25*38CM PE BAG.(FILL WITH)

UNLESS OTHERWISE SPECIFIED DIMENSION TOLERANCES ARE				14700 E ALONDRA BLVD, LA MIRADA, CA 90638		WWW.CABLESYS.COM	
DECIMALS	ANGULAR			NULL MODEM CABLE ASSY			
.X	+/- .050	+/- 0.5	DESIGNER	T.L.	SIZE	A	FILE NO. OFF SHELF CABLE\GC31851006
.XX	+/- .010		DRAFTSMAN	K.K.	UNIT	MM	PAGE NO. 1/1
.XXX	+/- .005		APPROVED BY		SCALE	NTS	DATE 07/12/05
DO NOT SCALE DRAWING						ITEM NO. GC31851006	
						DWG NO. 31851006	

Approved by: _____ Title: _____ Date: _____